

FS-5 Series Heavy Duty Foot Switches

Features

- Treadle and housing constructed from cast iron for strength and durability
- Strong cast aluminum guard construction
- Features an anti-trip treadle mechanism that helps prevent accidental actuation through unintentional stepping on foot treadle
- Anti-skid rubber feet and three holes for rigid mounting to floor or equipment
- UL/CSA/CE/CCC certified
- Conduit available in: 3/4NPT, 1/2NPT, M20, 1/2NPTx2, M20x2

Specifications

Operating Frequency	60 ops/min
Insulation Resistance	>100MΩ@500V DC
Contact Resistance	<25mΩ (initial)
Rated Current/Voltage	15A, 20A or 25A 125V/250VAC
Dielectric Strength	1000VAC for 1 min between current carrying parts 2500VAC for 1 min between non-current carrying parts
Service Life	Mechanically 1 x 10 ⁶ (operations) Electrically 5 x 10 ⁵ (operations)
Operating Temperature	-20~+80°C (-4~176°F)
Degree of Protection	IP65, NEMA type 2, 4, 13 (IP68, NEMA type 6, 6P available on request)

Selection Guide:

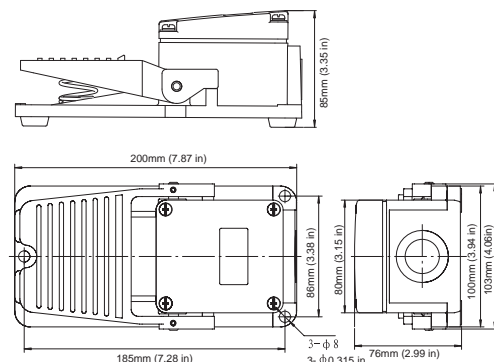
FS-5	-	G	-	20		AG	-	S	-	A	
		Guarding Options				Electrical Ratings				Other Features	
		Blank: No guard G: Fully guarded				15: 15A 20: 20A 25: 25A				Switch Configuration	
						D: Maintained A: Anti-trip mechanism G: Protective gate AG: Anti-trip with gate				Conduit Type	
										Blank: SPDT (1NO/1NC) T: DPDT (2NO/2NC) S: DPDT (2 stages)	
										F: 3/4NPT A: 1/2NPT A2: Two 1/2NPT C: M20 x1.5 C2: Two M20 x1.5	

Part Number*	Description	Guard	Anti-Trip	Protective Gate	Stage	Circuit	Degree of Protection	Electrical Ratings
FS-5-20	Momentary	No	No	No	1	SPDT	IP65	
FS-5-20-T	Momentary	No	No	No	1	DPDT	IP65	
FS-5-20-S	Momentary	No	No	No	2	DPDT	IP65	
FS-5G-20	Momentary	Yes	No	No	1	SPDT	IP65	
FS-5G-20-D	Maintained	Yes	No	No	1	SPDT	IP65	
FS-5G-20-A	Momentary	Yes	Yes	No	1	SPDT	IP65	20A 125-250VAC 1.5HP/125VAC, 2HP/250VAC
FS-5G-20-T	Momentary	Yes	No	No	1	DPDT	IP65	
FS-5G-20-S	Momentary	Yes	No	No	2	DPDT	IP65	
FS-5G-20-D-T	Maintained	Yes	No	No	1	DPDT	IP65	
FS-5G-20-A-T	Momentary	Yes	Yes	No	1	DPDT	IP65	
FS-5G-20-A-S	Momentary	Yes	Yes	No	2	DPDT	IP65	
FS-5G-20-AG	Momentary	Yes	Yes	Yes	1	SPDT	IP65	
FS-5G-20-AG-T	Momentary	Yes	Yes	Yes	1	DPDT	IP65	
FS-5G-20-AG-S	Momentary	Yes	Yes	Yes	2	DPDT	IP65	

* Add conduit type suffix to get the complete part numbers

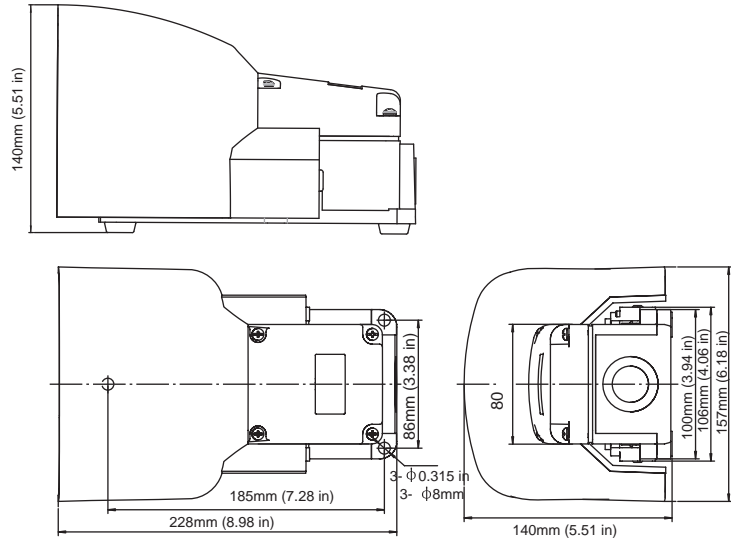
Dimensions:

FS-5-20

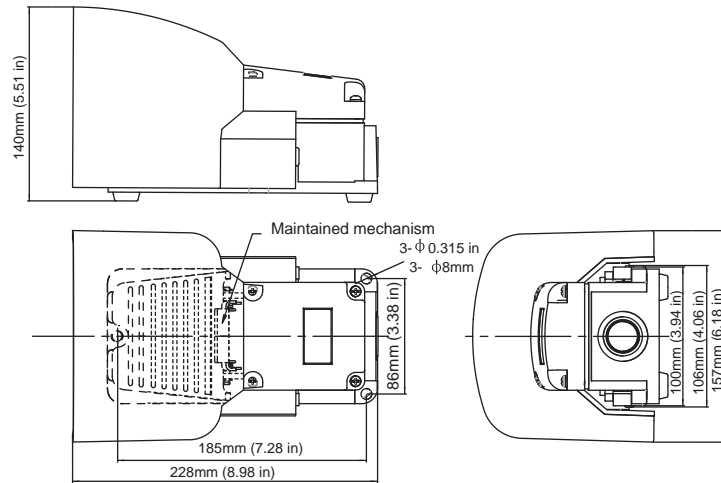


FS-5 Series Heavy Duty Foot Switches

FS-5G-20



FS-5G-20D(Maintained)



FS-5G-20-AG(Anti-trip with gate)

