

## DOOR CONTACT EDC SERIES

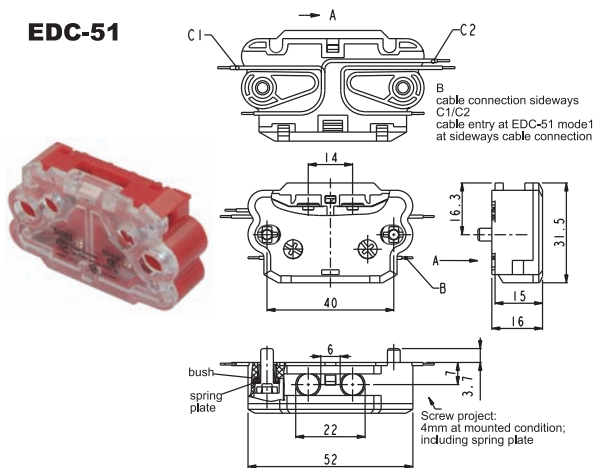
### Features

- For use in controlling the closure position of lift doors or as switch for locking mechanism of automatic doors safety switch with positive contact
- Quiet Functioning
- Self-cleaning double break contact for long service life

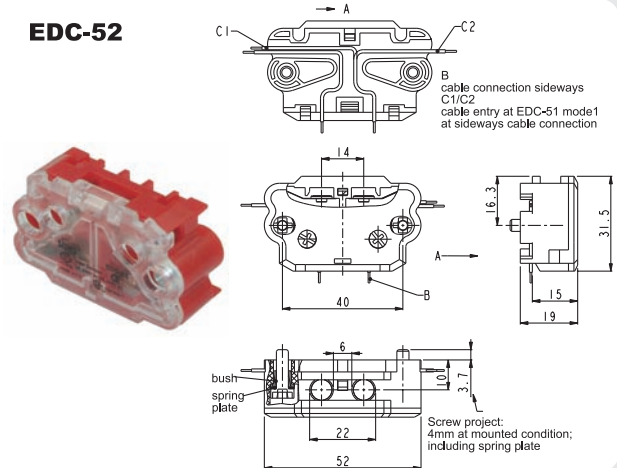
### Specifications

Enclosure Material	Fiber reinforced PA6/66 (UL94-V0)
Cover Material	Polycarbonate (UL94-V0) transparent
Actuator	Silver-plated brass with PA6/66 (UL94-V0) enclosure
Contact Material	Cu-rivets with silver coating
Mounting	2xM4 thread rolling captive screws
Contact Type	1NC
Termination	M3.5 screw switch self-lifting clamp (conductor cross-section 0.5 to 1.5 mm <sup>2</sup> )
Switching Frequency	30 ops/min
Rated Thermal Current (I <sub>th</sub> )	4A
Rated Operation Current/Voltage (I <sub>e</sub> /U <sub>e</sub> )	2A/230VAC; 2A/200VDC (according to EN81-1, -2)
Short-time current protective device	Fuse 6A gL
Ambient Temperature	-30~+80°C (-22~176°F)
Mechanical Life	Mechanically 10 millions operations
Degree of Protection	IP20 to IEC/EN60529
Standards	EN81, CAN/CSA-B44.1/ASME-A15.5, VDE 0660

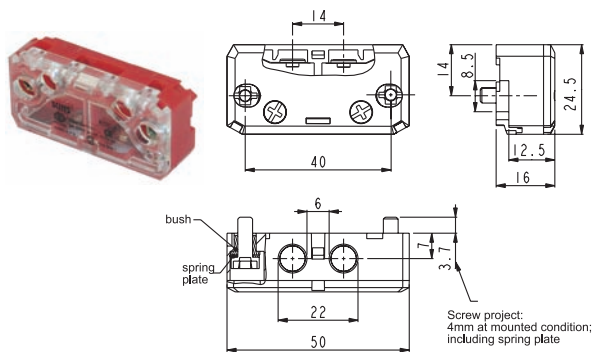
**EDC-51**



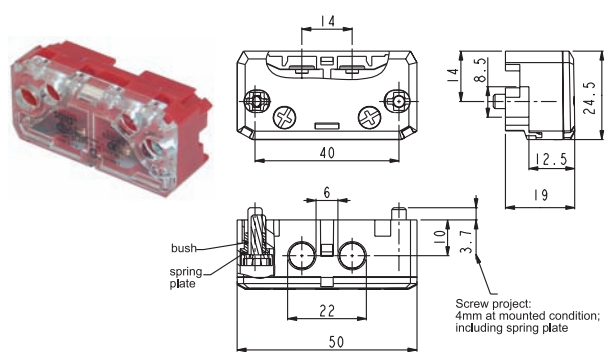
**EDC-52**



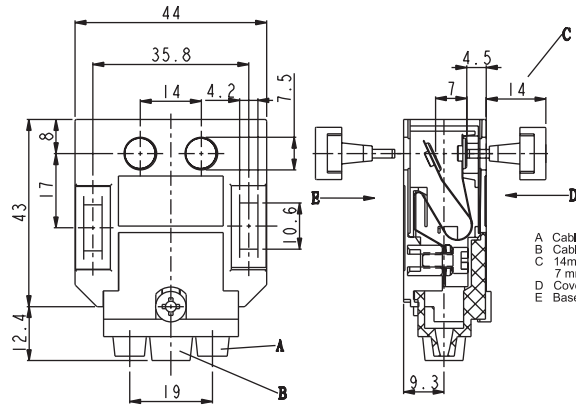
**EDC-61**



**EDC-62**

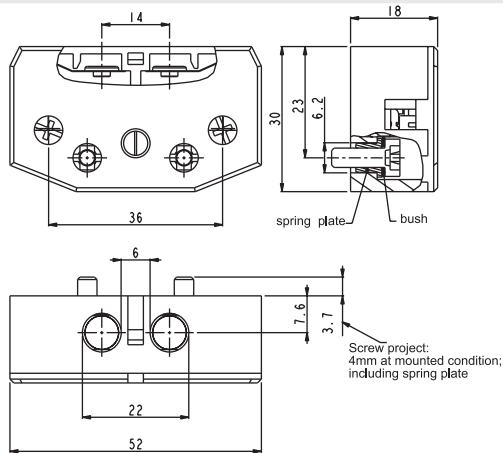


## DOOR CONTACT EDC SERIES

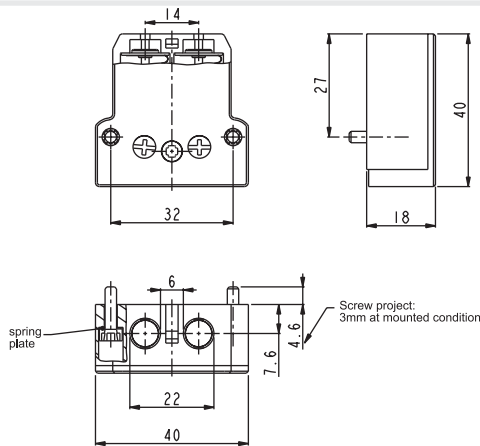


- A Cable entry single core, max. Ø 7mm
- B Cable entry twin core, max. Ø 9mm
- C 14mm=start of the contact-making
- D 7 mm=full stroke
- E Cover side actuation(EDC-71)

**EDC-71 EDC-72**



**EDC-8**



**EDC-92**